

- 

 ø8x100 (SPAX) - 52pcs. a
- 

 ø8x80 (SPAX) - 16pcs. b
- 

 ø4x30 (SPAX) -192pcs. c
- 

 ø4x45 (SPAX) - 6pcs. d
- 

 ø5x70 (SPAX) - 8 pcs. e
- 

 ø2.2x50 - 1,8 kg f
- 

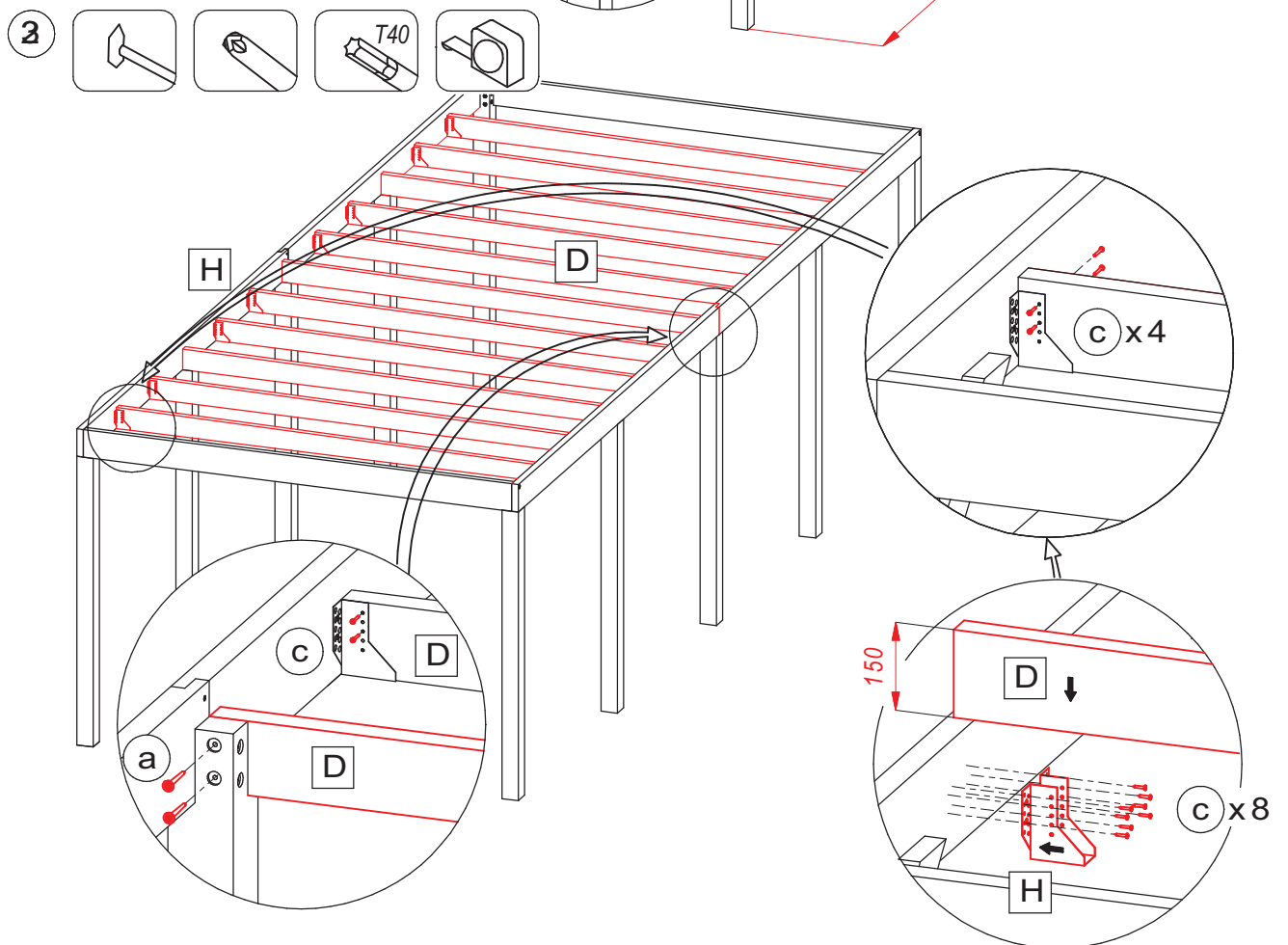
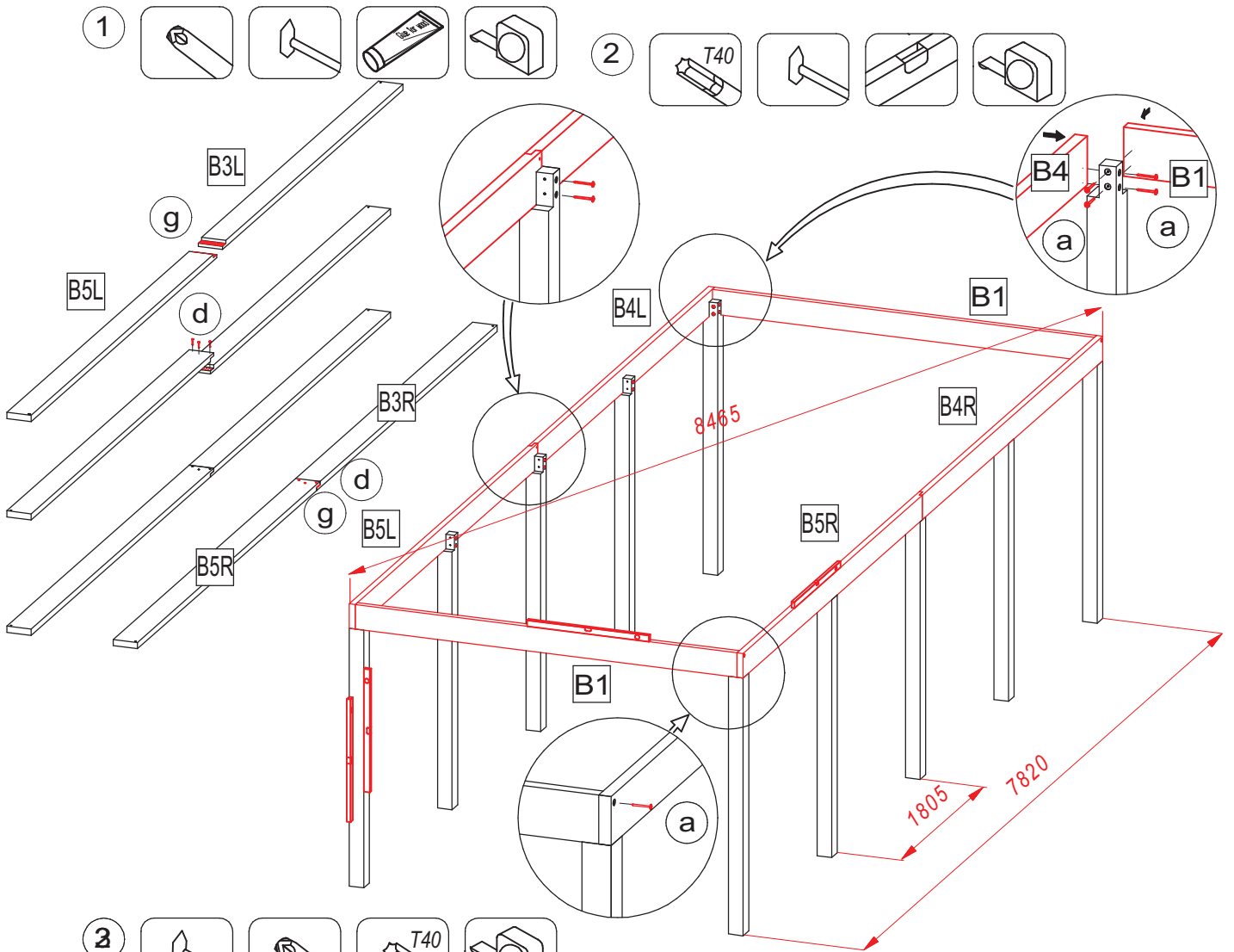
 Glue for wood - 1 pcs. g
- 

 Glue for rubber - 1 pcs. h

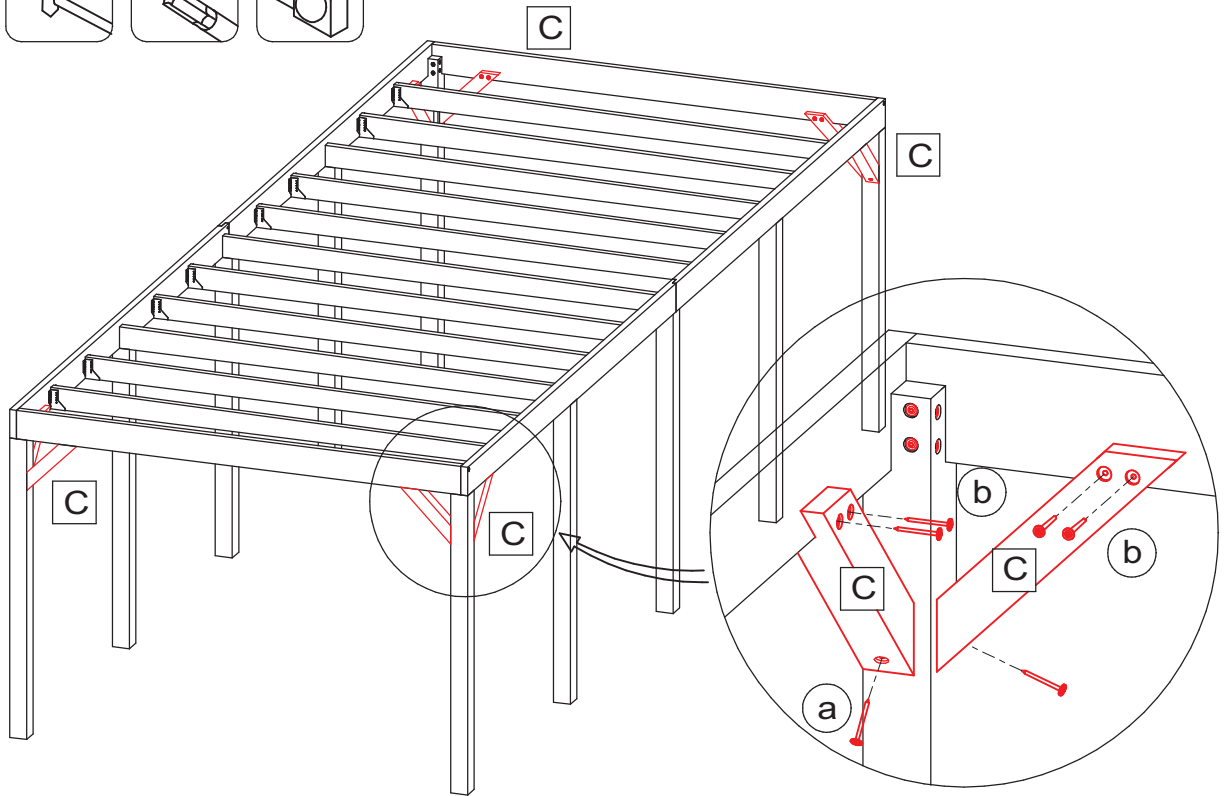
Component

A	Beam 120x120x2220	10 pcs.
B1	Beam 50x200x3140	2 pcs.
B4	Beam 50x200x3920 (R i L)	1+1 pcs.
B5	Beam 50x200x3970 (R i L)	1+1 pcs.
C	Beam 90x90x600 (R i L)	4+4 pcs.
D	Beam 50x150/120x3140	11 pcs.
E	Lath 35x65x3070	2 pcs.
F3 *	Plank profile "Z" 16x85x3820	41 pcs.
F4 *	Plank profile "Z" 16x85x3890	41 pcs.
G1	Top lath 15x50x3140	2 pcs.
G4 *	Top lath 15x50x3900	2 pcs.
G5 *	Top lath 15x50x3920	2 pcs.
H	Holder	16 pcs.
I	Tilt 4x6.1 [M]	1 pcs.
J	Discharge outlet	1 pcs.

\* permissible another embodiment of the length and quantity



4



5

